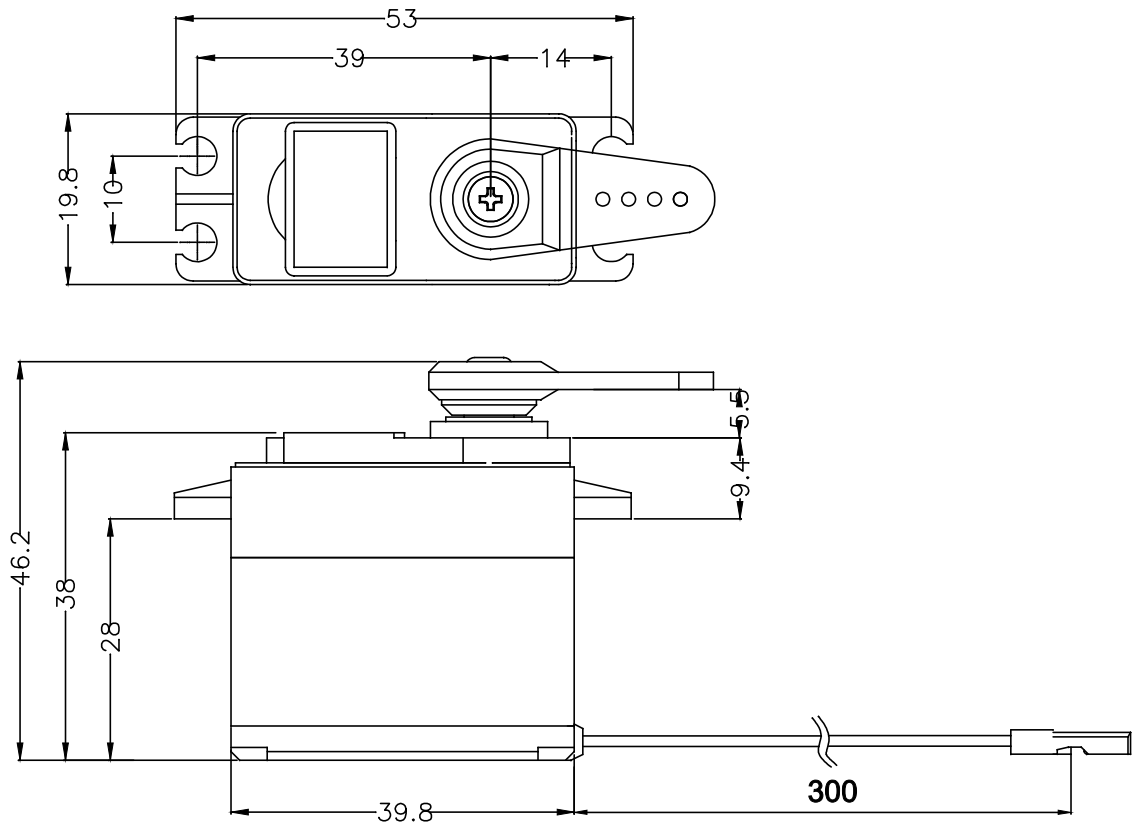


GENERAL SPECIFICATION OF MD485HW WIDE VOLTAGE SERVO

1. TECHNICAL VALUES

CONTROL SYSTEM	: +PULSE WIDTH CONTROL 1500usec NEUTRAL		
OPERATING VOLTAGE RANGE	: 3.5V TO 8.4V		
OPERATING TEMPERATURE RANGE	: -20°C TO +60°C (-4°F TO +140°F)		
TEST VOLTAGE	: AT 4.8V	: AT 6.0V	: AT 7.4V
OPERATING SPEED	: 0.20sec/60°	: 0.17sec	: 0.15sec/60°
STALL TORQUE	: 4.8kg.cm	: 6.0kg.cm	: 7.4kg.cm
IDLE CURRENT	: 30mA	: 30mA	: 30mA
RUNNING CURRENT	: 250mA	: 280mA	: 320mA
STALL CURRENT	: 1000mA	: 1200mA	: 1500mA
DEAD BAND WIDTH	: 2usec	: 2usec	: 2usec
OPERATING TRAVEL	: 40°/ONE SIDE PULSE TRAVELING 400usec		
DIRECTION	: CLOCK WISE/PULSE TRAVELING 1500 TO 1900usec		
MOTOR TYPE	* : CARBON BRUSH		
POTENTIOMETER TYPE	: MAGNETIC ROTARY ENCODER		
AMPLIFIER TYPE	: DIGITAL PROGRAMMABLE AMPLIFIER WITH MOSFET DRIVE		
DIMENSIONS	: 39.8x19.8x38.0mm(1.57x0.78x1.49in)		
WEIGHT	: --g±5%		
BALL BEARING	: TOP/MR106		
GEAR MATERIAL	: KARBONITE RESIN		
HORN GEAR SPLINE	: 25 SEGMENTS/ø6		
SPLINED HORNS	: R-X25, R-I25, HD-IM25		
CONNECTOR WIRE LENGTH	: 300mm(11.81in)		
CONNECTOR WIRE STRAND COUNTER	: 40EA		
CONNECTOR WIRE GAUGE	: 25AWG		



2. FEATURES

STANDARD SIZED HIGH VOLTAGE SERVO
PROGRAMMABLE DIGITAL

3. APPLICATIONS

POPULAR MODELS